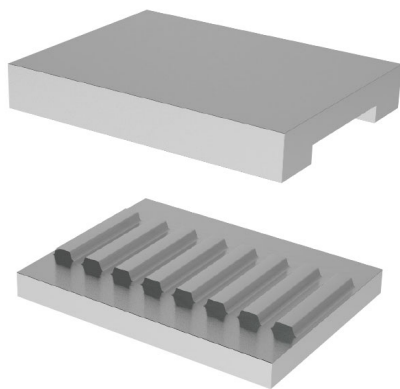


Overview BRECO-fix tension plates

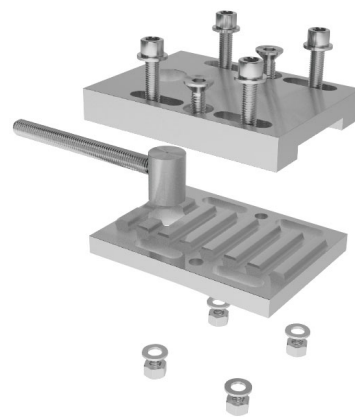
The table below is an overview about our available tension plate variants according to the different belt types.

BRECO [®] -fix Tension plates							
Pitch	Belt type	Belt widths					
		25	32	50	75	100	150
5 mm	T5	Variant A Type 1 / 2 / 3	Variant A Type 1 / 2 / 3	Variant A Type 1 / 2 / 3	-	-	-
	AT5 / ATL5	Variant A Type 1 / 2 / 3	Variant A Type 1 / 2 / 3	Variant A Type 1 / 2 / 3	-	-	-
10 mm	T10	Variant A Type 1 / 2 / 3	Variant A Type 1 / 2 / 3	Variant A Type 1 / 2 / 3	-	-	-
	AT10	Variant A Type 1 / 2 / 3	Variant A Type 1 / 2 / 3	Variant A Type 1 / 2 / 3	Variant B Type 2	Variant B Type 2	Variant C
	BATK10	-	Variant A Type 1 / 2 / 3	Variant A Type 1 / 2 / 3	Variant B Type 2	Variant B Type 2	-
	AT10 MOV	Variant A Type 1 / 2 / 3	Variant A Type 1 / 2 / 3	Variant B Type 1	Variant B Type 2	Variant B Type 2	-
	ATL10	Variant A Type 1 / 2 / 3	Variant A Type 1 / 2 / 3	Variant B Type 1	Variant B Type 2	Variant B Type 2	-
15 mm	ATS15	-	-	Variant B Type 1	Variant B Type 2	Variant B Type 2	Variant C
	BATK15	-	-	Variant B Type 1	Variant B Type 2	Variant B Type 2	-
	AT15 MOV	-	-	Variant B Type 1	Variant B Type 2	Variant B Type 2	Variant C
20 mm	T20	-	-	Variant B Type 1	Variant B Type 2	Variant B Type 2	Variant C
	AT20	-	-	Variant B Type 1	Variant B Type 2	Variant B Type 2	Variant C
	ATL20	-	-	Variant B Type 1	Variant B Type 2	Variant B Type 2	-



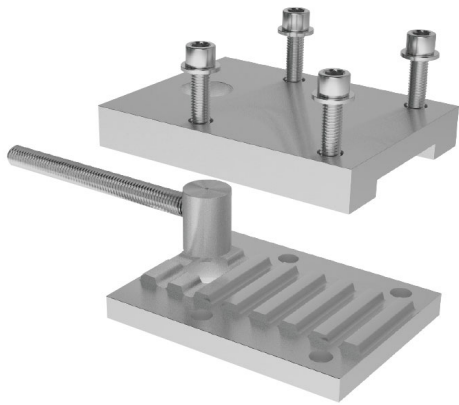
Variant A type 1

Without bores and tensioning device



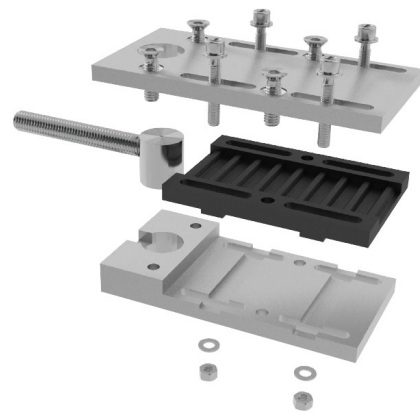
Variant A type 2

With bores, long holes and tensioning device



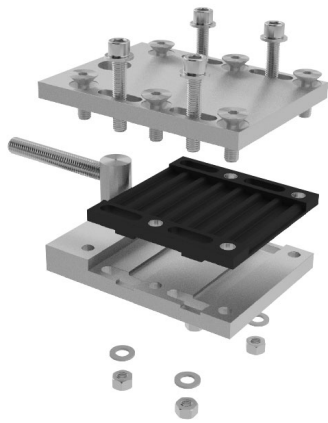
Variant A type 3

With tensioning device, threaded holes in the upper plate and screw thread in the bottom plate



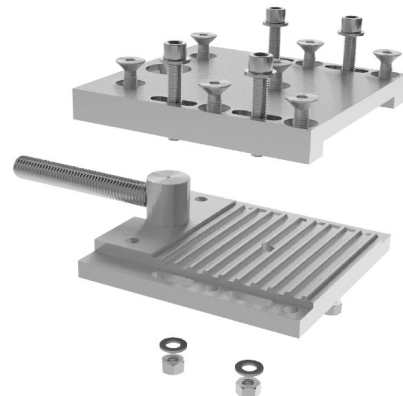
Variant B type 1

With tensioning device, bores, long holes and toothed insert



Variant B type 2

With tensioning device, bores, long holes and toothed insert



Variant C

With tensioning device, bores, long holes

Remark:

Variant „B“ and „C“ are also available without tensioning device. If you don't need it, please make a note in the order code.