

# “SM” SERVOMATE disc couplings

SM SERVOMATE disc couplings have been specially designed for servomotor applications. The aluminium hubs and the compact design provide low mass

moment of inertia resulting in a reliable and maintenance free coupling for high speeds. The double disk pack execution has been designed for applications with radial misalignment.

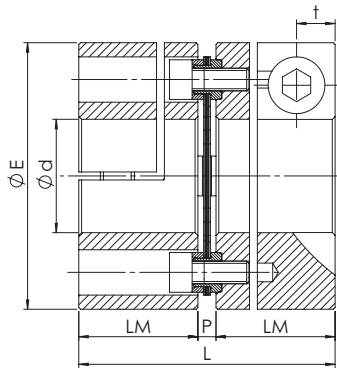


Fig. 1

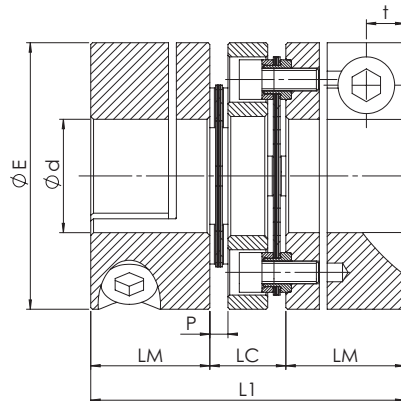


Fig. 2

Size	Dimensions [mm]								Screw		Weights and moments of inertia				TKN [Nm]	TKmax [Nm]	Max. speed [rpm]
	dmax	E	LC	LM	L	L1	P	t	Type	Ms [Nm]	Fig. 1		Fig. 2				
											W* [Kg]	J* [Kg · m²]	W* [Kg]	J* [Kg · m²]			
15	20	47	13	21	45	55	3	6,8	M6	10	0,16	52 · 10 <sup>-6</sup>	0,20	63 · 10 <sup>-6</sup>	20	40	16000
20	25	59	19	24	52	67	4	6,5	M6	10	0,30	149 · 10 <sup>-6</sup>	0,40	194 · 10 <sup>-6</sup>	30	60	12000
25	35	70	24	32	69	88	5	9	M8	25	0,53	384 · 10 <sup>-6</sup>	0,66	492 · 10 <sup>-6</sup>	60	120	10000

\*= with max bore

Size	Trasmissible torque [Nm] related to shaft diameter [mm]															
	Ø10	Ø11	Ø12	Ø14	Ø15	Ø16	Ø19	Ø20	Ø22	Ø24	Ø25	Ø28	Ø30	Ø32	Ø35	
15	20	22	24	28	30	32	38	40	-	-	-	-	-	-	-	
20	-	-	24	28	30	32	38	40	44	48	50	-	-	-	-	
25	-	-	-	-	55	59	70	73	81	88	92	103	110	117	128	

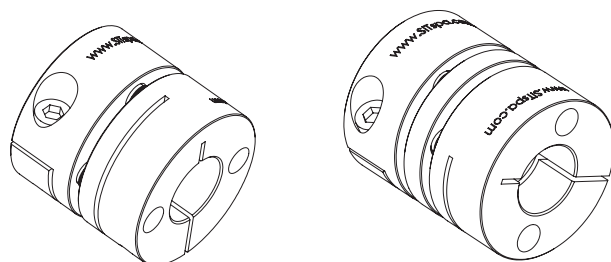
## Order form

Hub/Disc pack **GSM 020 M**

GSM SERVOMATE hub

Size

M: solid standard hub  
 PL: Disc pack  
 C: Spacer



SERVOMATE